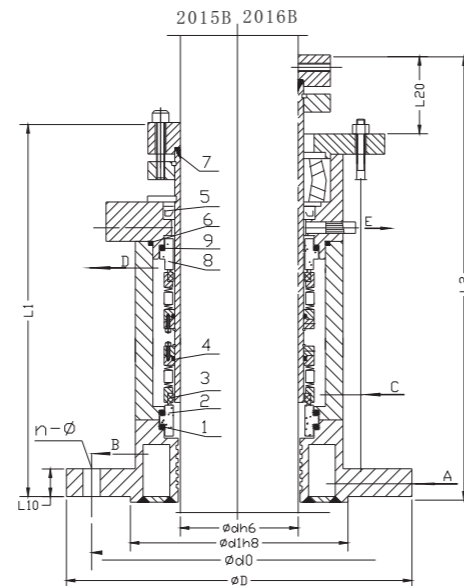
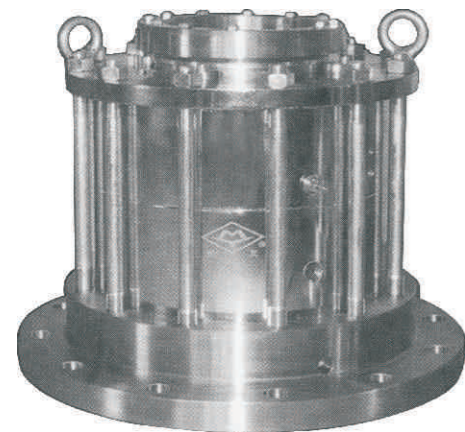


2015B,2016B型金属波纹管机械密封

2015B,2016B Metal Bellows Mechanical Seal

符合HG21571-95标准
Conform to HG21571-95 standard
本厂专利 专利号: ZL00220957.8
Patent No: ZL00220957.8

HG/T2269《釜用机械密封技术条件》标准制定单位
HG./T2269 Standard constitutor of Reactor mechanical seal technical conditions



A.冷却液进口 G1/2
Chilling liquid inlet G1/2
B.冷却液出口 G1/2
Chilling liquid outlet G1/2
C.密封液进口 G1/4
Sealing liquid inlet G1/4
D.密封液出口 G1/4
Sealing liquid outlet G1/4

使用参数 OPERATION PARAMETERS

压力: PN-0.1~2.5MPa
Pressure: PN-0.1~2.5MPa
温度: -40~450℃
Temperature: -40~450℃

转速: ≤ 2m/s
Rotating speed: ≤ 2m/s

介质: 适用于各种溶剂、酸、碱、油、高分子悬浮液。
Medium: Applied to a wide variety of solvents, bases, acids, oil and polymeric suspension.

结构特点 STRUCTURE

密封性能可靠。适用于摆动量在0.8mm以内的搅拌轴。辅助密封圈可用聚四氟乙烯或柔性石墨。

Reliable sealing performance, applicable to mixer shafts with amplitude of oscillation less than 0.8mm; auxiliary gasket rings optionally made from either teflon or flexible graphite.

易损件明细 Wearing Parts List

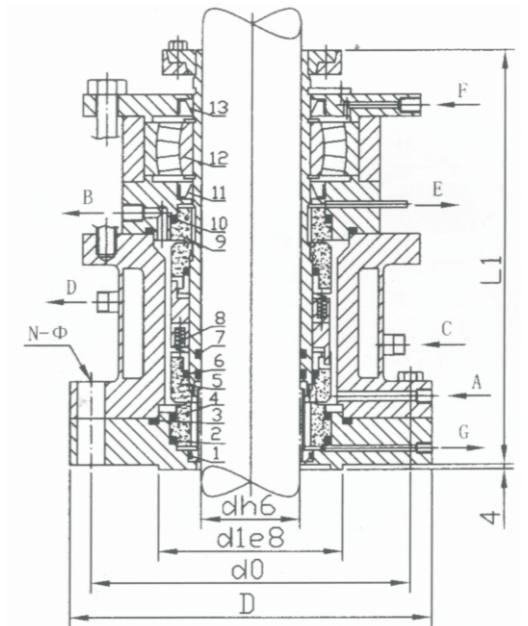
- | | |
|--|--|
| 1.下静环密封圈
Sealing washer for lower static ring | 6.“O”形圈
O ring |
| 2.下静环
Lower static ring | 7.楔形密封圈
Wedge ring |
| 3.波纹管动环
Rotating O ring for bellows | 8.上静环
Upper static ring |
| 4.动环密封圈
Rotating O ring | 9.上静环密封圈
Sealing washer for upper static ring |
| 5.油封
Oil seal | |

d	d1	d0	D	L10	L1	L2	L20	n-φ
30	110	145	175	20	195	275	38	4-18
40	110	145	175	20	195	275	38	4-18
50	176	210	240	22	200	310	38	8-18
60	176	210	240	22	210	320	38	8-18
70	176	210	240	22	220	360	38	8-18
80	204	240	275	22	220	360	44	8-22
90	234	270	305	24	230	360	44	8-22
100	234	270	305	24	230	360	44	8-22
110	260	295	330	24	255	370	44	8-22
120	260	295	330	24	255	370	44	8-22
130	260	295	330	24	260	385	50	8-22
140	313	350	395	24	260	385	50	12-22
160	313	350	395	24	265	390	50	12-22

X207B型机械密封

X207B Mechanical Seal

HG/T2269《釜用机械密封技术条件》标准制定单位
HG./T2269 Standard constitutor of Reactor mechanical seal technical conditions



使用参数 OPERATION PARAMETERS

压力: PN-0.1~4.0MPa
Pressure: PN-0.1~4.0MPa
温度: -40~180℃
Temperature: -40~180℃

当温度超过180℃时,须设置高位水箱,安装高度L1加高80mm。
Chilling water tank is to be mounted when the temperature exceeds 180℃, with 80mm higher than the mounting height L1.

转速: ≤ 2m/s
Rotating speed: ≤ 2m/s

介质: 油、水、弱碱、弱酸及易燃、易爆、有毒气体等
Medium: oil, water, weak acid, weak base and inflammable, explosive and toxic gas.

A:密封液进口
Sealing liquid inlet
B:密封液出口
Sealing liquid outlet
C:冷却水进口
Chilling water inlet
D:冷却水出口
Chilling water outlet
E:泄漏液出口
Leaking liquid outlet
F:注油孔
Oil orifice
G:渠漏液出口
Medium face outlet

d	d1	d0	D	L1	N-φ
30	70	145	170	335	6-14
40	80	170	200	335	6-18
50	100	200	230	335	8-18
60	120	235	255	340	8-18
65	130	245	275	340	8-18
80	145	260	295	345	8-23
90	155	275	310	360	8-23
95	170	280	315	360	8-23
110	180	300	335	370	8-23
120	200	325	365	360	8-23
130	200	325	365	365	8-23
150	259	360	430	405	12-27
160	312	430	480	430	12-33
200	420	525	600	485	16-36

序号 Item	名称 Description	材料 Material	数量 Qty.
1	内漏装置“O”形圈 Inside O-Ring	氟橡胶 Viton	1
2	静环“O”形圈 Stationary O-Ring	氟橡胶 Viton	1
3	箱体“O”形圈 Chamber O-Ring	氟橡胶 Viton	2
4	介质端静环 Medium end Stationary	SIC	1
5	动环 Rotary	SIC	2
6	动环“O”形圈 Rotary O-Ring	氟橡胶 Viton	2
7	轴套“O”形圈 Shaft O-Ring	氟橡胶 Viton	2
8	弹簧 Spring	1Cr18Ni9Ti	2组 two sets
9	大气端静环 Air end Stationary	SIC	1
10	大气端静环“O”形圈 Stationary O-Ring	氟橡胶 Viton	1
11	骨架油封 Reinforced oil seal	耐油橡胶 oil-proof rubber	1
12	轴承 Shaft		1
13	骨架油封 Reinforced oil seal	耐油橡胶 oil-proof rubber	1