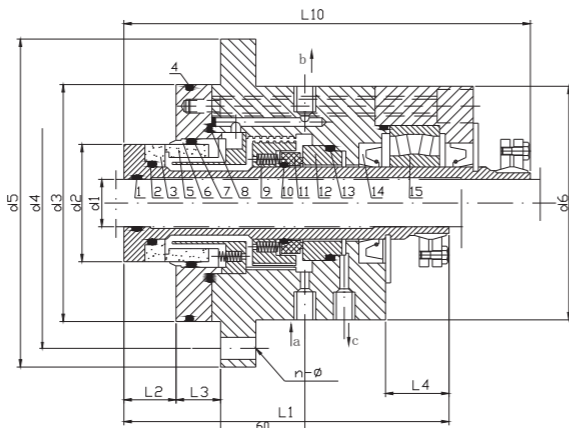


# MSMDU型机械密封

MSMDU mechanical seal



HG/T2477《砂磨机用机械密封技术条件》标准制定单位  
HG/T2477 Standard constituent of Reactor mechanical seal technical conditions



## 适用范围

Application

砂磨机、珠磨机、浆液泵。  
Sand mill, Bead mill and slurry pump.

## 使用参数

OPERATION PARAMETERS

设计压力: PN-0.1~1.6MPa  
Design pressure: PN-0.1~1.6MPa  
设计温度: -40~180°C  
Design temperature: -40~180°C  
设计转速: 10m/s  
Design rotating speed: 10m/s  
轴径: 20~200mm  
Shaft diameter: 20~200mm  
介 质: 溶剂、油、水、弱酸、弱碱、  
等带颗粒结晶性等工况。  
Medium: Solvent, oil, water, weak acid, weak base and  
working conditions with granules and crystals.

## 结构特点

集装式结构传动无方向性。  
密封圈采用防堵结构保证密封圈不会堵死。  
密封液直接冲洗到密封面冷却效果更佳。  
动、静环材质为独特工艺的硬质合金或碳化硅。  
带泵送效应的结构高速情况下密封液可自循环。

## Structure features

Cartridge structure, modularization design and Non-directional transmission.  
Sealing ring adopts anti-blocking structure  
Sealing liquid washes seal face to ensure ideal cooling effect.  
Sealing rings adopt silicon carbide or tungsten carbide as there material.  
Structure with pumping effect can make self-circulation of sealing liquid during high speed running process.

## 易损件明细

Wearing parts details

1. 轴套密封圈  
Sealing ring for shaft sleeve
2. 介质端动环O型圈  
Sealing ring for rotary ring
3. 介质端动环  
Stationary ring
4. 釜口O型圈  
O ring for connecting flange.
5. 介质端静环  
Stationary ring
6. 楔型防尘密封圈  
Dustproof wedge shaped sealing ring
7. 介质端静环O型圈  
Sealing ring for Stationary ring
8. 密封箱体O型圈  
O ring for housing
9. 弹簧  
Springs
10. 大气端动环O型圈  
Sealing ring for rotary ring
11. 大气端动环  
Rotary ring
12. 大气端静环  
Stationary ring
13. 大气端静环O型圈  
Sealing ring for Stationary ring
14. 骨架油封  
Framework oil seal
15. 轴承  
Bearing

## 管口明细

Orifice details

- A. 密封液进口  
Sealing liquid inlet
- B. 密封液出口  
Sealing liquid outlet
- C. 泄漏液出口  
Leakage outlet

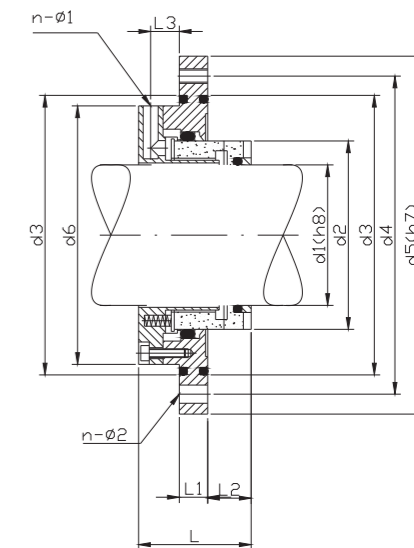
d1	d2	d3	d4	d5	d6	L10	L1	L2	L3	L4	n-φ
20	52	117	140	165	118	197	158	22	25	31	6-12
25	58	124	150	175	128	209	167	22	25	31	6-12
30	62	134	165	185	138	216	174	26	25	31	6-12
35	68	140	175	195	148	216	174	26	25	31	6-12
40	75	146	175	195	148	224	181	27	25	35	8-12
45	83	150	175	195	148	226	181	27	25	35	8-12
50	90	170	195	215	168	249	192	30	25	35	8-12
55	95	175	205	225	178	258	200	30	25	35	8-12
60	100	180	205	225	178	258	200	30	25	35	8-12
65	110	190	220	245	188	268	209	30	30	41	8-14
70	115	195	230	255	198	212	210	30	30	41	8-14
75	120	200	230	255	198	285	217	31	30	41	8-14
80	130	210	240	265	208	308	228	32	30	45	8-14
85	135	215	250	275	218	312	232	32	30	45	8-14
90	140	230	260	285	228	323	246	35	30	45	8-14
95	145	235	270	295	238	323	246	35	30	45	8-14
100	150	240	270	295	238	338	260	39	30	45	8-14
110	160	255	290	315	258	350	266	39	30	50	8-14
120	172	265	305	335	258	358	271	39	40	53	8-18
130	185	275	315	345	278	364	273	39	40	53	8-18
140	195	290	335	365	298	380	286	41	40	53	8-18
150	205	300	335	365	298	392	290	45	40	53	8-18
160	220	330	335	385	323	403	294	45	40	53	8-18
170	230	343	375	405	358	403	294	45	40	53	8-18
180	240	363	395	425	358	416	300	45	40	56	8-18
190	270	393	425	455	388	466	337	60	45	58	12-18
200	280	393	425	455	388	466	337	60	45	58	12-18

# MMRSU型机械密封

MMRSU mechanical seal



HG/T2477《砂磨机用机械密封技术条件》标准制定单位  
HG/T2477 Standard constituent of Reactor mechanical seal technical conditions



## 适用范围

Application

砂磨机、珠磨机、浆液泵。  
Sand mill, Bead mill and slurry pump.

## 使用参数

OPERATION PARAMETERS

设计压力: PN-0.1~0.6MPa  
Design pressure: PN-0.1~0.6MPa  
设计温度: -40~180°C  
Design temperature: -40~180°C  
设计转速: 10m/s  
Design rotating speed: 10m/s  
轴径: 20~200mm  
Shaft diameter: 20~200mm  
介 质: 溶剂、油、水、弱酸、弱碱、  
等带颗粒结晶性等工况。  
Medium: Solvent, oil, water, weak acid, weak base  
and working conditions with granules and crystals.

## 结构特点

传动无方向性。  
密封圈采用防堵结构保证密封圈不会堵死。  
静止式结构适合高速工况。  
动、静环材质为独特工艺的硬质合金或碳化硅。  
超短型设计可保证设备在最短的悬臂下使用。

## Structure features

Cartridge structure, modularization design and Non-directional transmission.  
Sealing ring adopts anti-blocking structure  
Sealing liquid washes seal face to ensure ideal cooling effect.  
Sealing rings adopt silicon carbide or tungsten carbide as there material.

## 易损件明细

Wearing parts details

1. 动环O型圈  
O ring for rotary ring
2. 动环  
Rotary ring
3. 静环  
Stationary ring
4. 静环O型圈  
O ring for stationary ring.
5. 弹簧  
Springs

d1	d2	d3	d4	d5	d6	L	L1	L2	L3	n-φ1	n-φ2
20	42	120	140	165	105	58	15	22	13	2-12	6-12
25	48	130	150	175	115	58	15	22	13	2-12	6-12
30	52	145	165	185	130	58	15	22	13	2-12	6-12
35	58	155	175	195	140	58	15	22	13	2-12	6-12
40	65	155	175	195	140	58	15	22	13	2-12	8-12
45	73	155	175	195	140	58	15	22	13	2-12	8-12
50	80	175	195	215	160	58	15	22	13	2-12	8-12
55	80	185	205	225	170	58	15	22	13	2-12	8-12
60	85	185	205	225	170	58	15	22	13	2-12	8-12
65	95	198	220	245	183	61	18	22	13	2-12	8-14
70	100	208	230	255	193	61	18	22	13	2-12	8-14
75	105	208	230	255	193	61	18	22	13	2-12	8-14
80	110	218	240	265	198	61	18	22	13	2-12	8-14
85	115	228	250	275	208	61	18	22	13	2-12	8-14
90	120	238	260	285	218	61	18	22	13	2-12	8-14
95	125	248	270	295	228	61	18	22	13	2-12	8-14
100	130	248	270	295	228	61	18	22	13	2-12	8-14
110	140	268	290	315	348	68	18	25	15	2-16	8-14
120	152	280	305	335	260	68	25	25	15	2-16	8-18
130	165	290	315	335	270	68	25	25	15	2-16	8-18
140	165	310	335	365	290	68	25	25	15	2-16	8-18
150	175	310	335	365	290	68	25	25	15	2-16	8-18
160	180	310	335	385	290	73	25	30	15	2-16	8-18
170	200	350	375	405	330	73	25	30	15	2-16	8-18
180	210	370	395	425	350	73	25	30	15	2-16	8-18
190	240	400	425	455	370	73	25	30	15	2-16	12-18
200	250	400	425	455	370	73	25	30	15	2-16	12-18