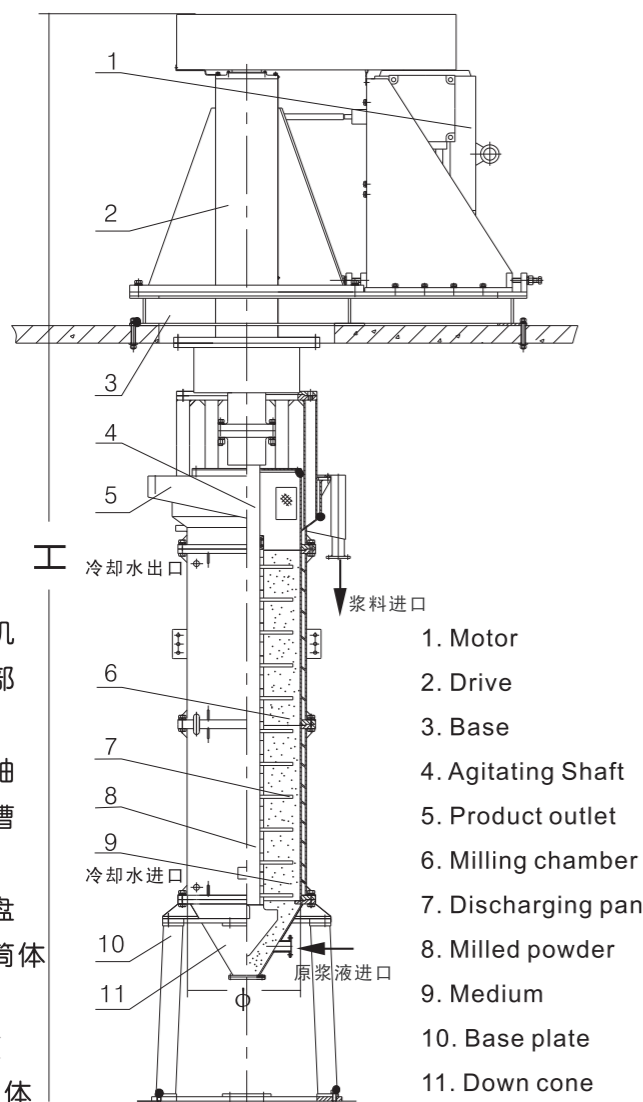


湿法立式搅拌磨

Vertical agitated wet ball mill



- | | |
|--------|--------------------|
| 1、电动机 | 1. Motor |
| 2、传动部 | 2. Drive |
| 3、底座 | 3. Base |
| 4、搅拌轴 | 4. Agitating Shaft |
| 5、出料槽 | 5. Product outlet |
| 6、磨腔 | 6. Milling chamber |
| 7、拔料盘 | 7. Discharging pan |
| 8、中间筒体 | 8. Milled powder |
| 9、磨介 | 9. Medium |
| 10、支座 | 10. Base plate |
| 11、下锥体 | 11. Down cone |

特点

- SJM搅拌磨综合吸收了研磨、砂磨、塔磨等设备特点，具有效率高、噪声低、处理能力大、操作维修方便等优点。
- 当给料粒度为325目时，经二次研磨可达 $-2\mu\text{m}$ 95%以上(平均粒径 $0.6\mu\text{m}$ 以下)。
- 既可超细研磨，又可得到流动状态极佳的浆状物。
- 磨矿筒体磨盘采用高耐磨材料及高硬度耐磨合金材料，设备使用寿命长。
- 使用的磨矿介质耐磨、粒径大小配比科学，在磨矿过程中无铁质污染，不影响产品白度。
- 使用一台湿法磨可连续作业，独立完成一种产品的研磨，也可通过反复循环进料完成两种或以上产品的研磨。

FEATURES

- Integrating the features of abrasive grinders, sand mills and tower mills available at home and abroad, SJM stirring mills are characterized by high efficiency, energy effectiveness, low noise, and easy operation and maintenance.
- When the feeding particles are approximately 325mesh, the mesh size can reach $-2\mu\text{m}$ 95% or above (average particle diameter below $0.6\mu\text{m}$) after secondary grinding.
- This stirring mill can yield ultrafine grinding and syrup with favorable flow pattern.
- Since the grinding bowl and disk are made from high abrasive resistance materials and high strength abrasion resistance alloy materials, the equipment has a durable service life.
- The milling medium has strong abrasive resistance and rational proportional particle sizes. The milling process produces no ferrous pollution and will not influence the whiteness of products.
- One wet mill can work continuously and grind a certain product independently. Repeated cyclic feeding can also be used to grind two or more types of products.

主要技术参数

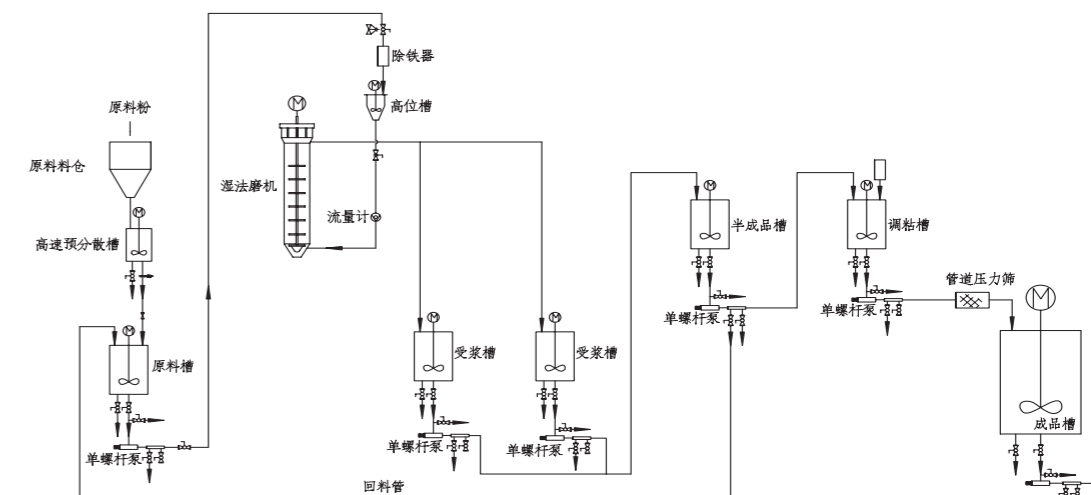
Major Technical Parameters

型号Mode	SJM80	SJM180	SJM300	SJM500	SJM1000	SJM1800	SJM3600
功率(kw) Power(kw)	22	37	75	132	160	200~220	315~355
主机 Central Unit							
主轴转速(r/min) Pindle Speed(r/min)	>300	>300	>300	>300	>300	>300	>300
容积(L) Volume(L)	80	180	300	500	1000	1800	3600
高H	2400	3400	3650	4550	5000	7900	7985
进料粒径(目) Feed diameter(mesh)	≥ 325	≥ 325	≥ 325	≥ 325	≥ 325	≥ 325	≥ 325
研磨细度(d95) Grinding Size	1.0~8.0 μm						
产量(吨/H) Output (T/H)	0.2~0.8	0.4~1.0	0.6~1.3	0.8~1.8	1.0~2.2	1.2~3.6	1.6~5.5
设备重量(吨) Weight (T)	2	2.8	4.5	7.5	10	15	20

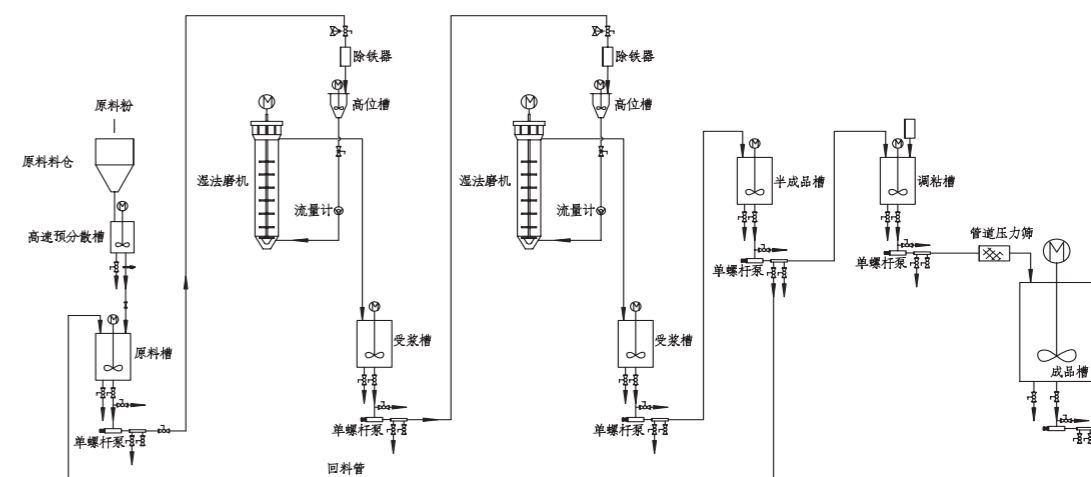
工艺流程图 Process flow diagram

以下工艺仅供产考，可根据用户细度，产能要求进行设计。

(1). 单台湿法磨循环磨流程图 One set Wet Ball Mill flowchart



(2). 两台磨机串联流程图 Two sets in series flowchart



(3). 两台磨机并联流程图 Two sets in parallel flowchart

